

# EMERGENCY LIGHTS

## Model-Super Nova



Emergency Light is powerful light source in dark. Basically two halogen lamp automatically glow in case of power failure. If requirement does not need glow both lamp here is separate switch provided for each lamp & EXIT sign.

These lights have the inbuilt feature of low battery protection at 9 Volts & Over charging at 13 Volts.

Most Suitable for Shops, showrooms, godowns, homes, factories, small and big building, schools, hospitals, temporary locations, Office complexes and goods vehicles etc.

This is available in 2 models

- A) With LED Light
- B) With TUNGSTEN Bulb

### SPECIFICATIONS

2 X 35 W TUNGSTEN halogen lamp.

SLA rechargeable battery back up.

1 hour backup/10 hours recharging period.

For power utility protection bed switch provided .This switch is used in maned & unmanned timings power failure.

Portable attractive Halogen twin light rechargeable unit.

## FUNCTIONS & CONTROL

**FUSE:-** USED FOR OVERLOADING & PROTECTION AGAINST SHORT CIRCUIT. USE ONLY APPROPRIATE RATING (6AMP) FUSE.

**FUSE INDICATION:-**IF THIS INDICATION SIGNING ON IT MEAN FUSE IS BLOWN.

**LOW BATTERY :-**DEFINED AS NAME IT IS GLOW IN LOW BATTERY CONDITION.

**LIGHT-1:-**SWITCH DEDICATED FOR LIGHT ONE ON/OFF AS PER REQUIRMENT OF USER

**LIGHT-2:-** THIS IS ALSO SAME AS SWITCH ONE. IT IS NOTABLE POINT THAT SINGLE LIGHT INCREASE THE BACK UP TIME.

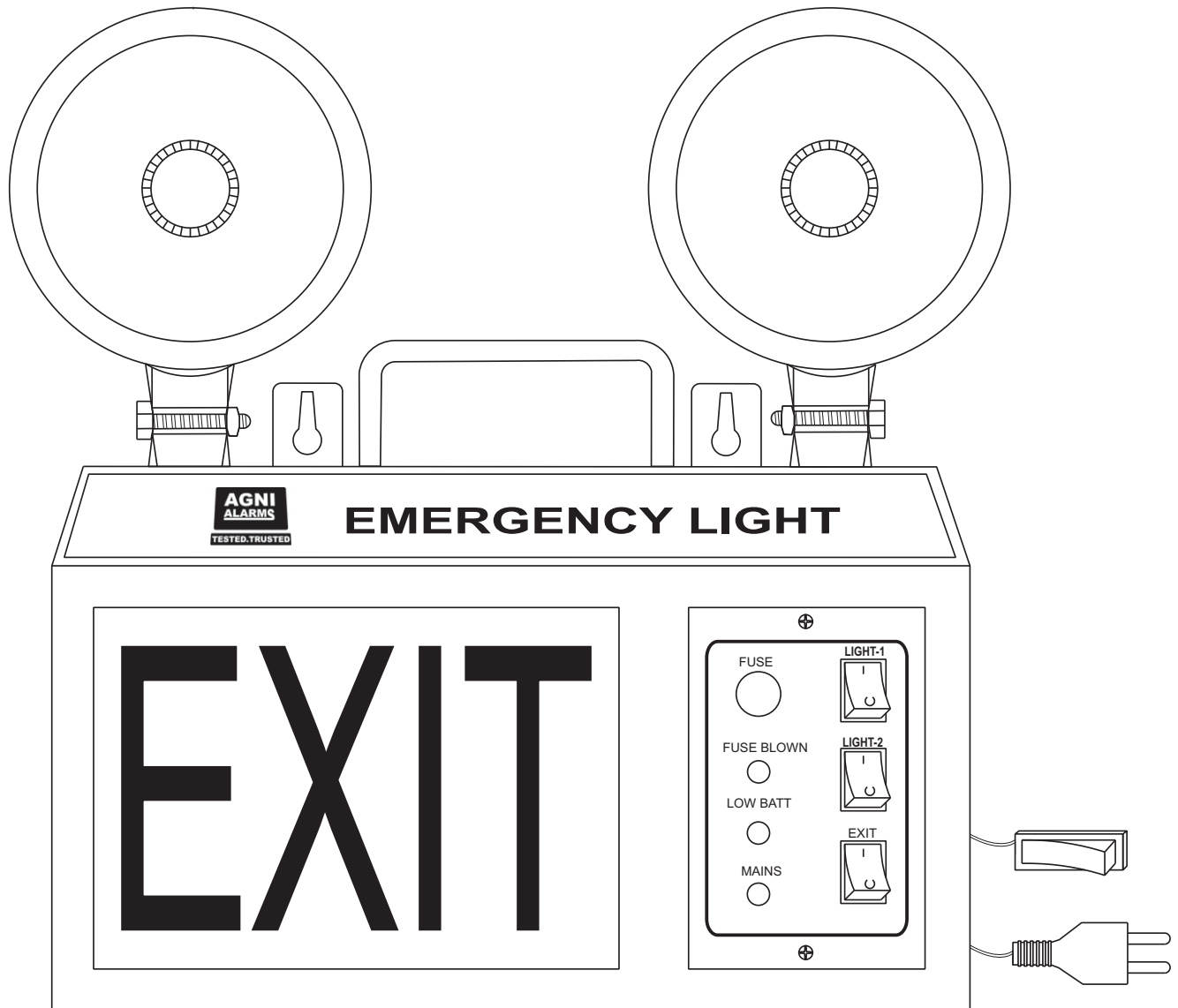
**EXIT:-**IT IS ON/OFF SWITCH FOR EXIT SIGNOR DISPLAY SIGN.

**BED SWITCH:-**THIS SWITCH PROVIDE FOR PROTESTING BATTERY FROM FUTILE USE.

**MAINS:-**MAIN POWER IS INSERTED IN PRODUCT IS INDICATED BY THIS LED.



# OUTLOOK APPEARANCE (EMERGENCY LIGHT)



## NATIONAL SECURITY DEVICES

OFFICE : 485/14, SARPANCH KA BARA ,  
MANDAWALI FAZALPUR DELHI-92 :

Phone:-011-22751020,64603599,

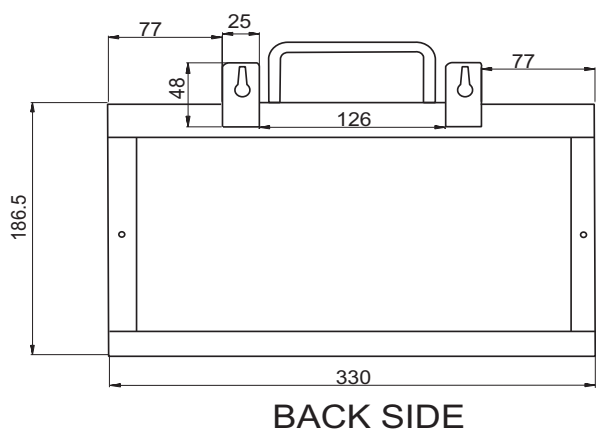
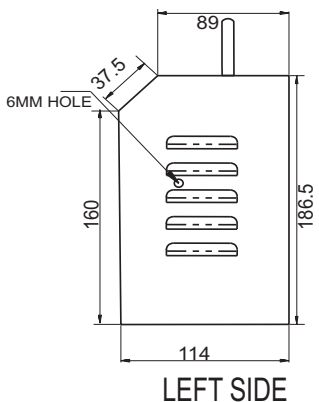
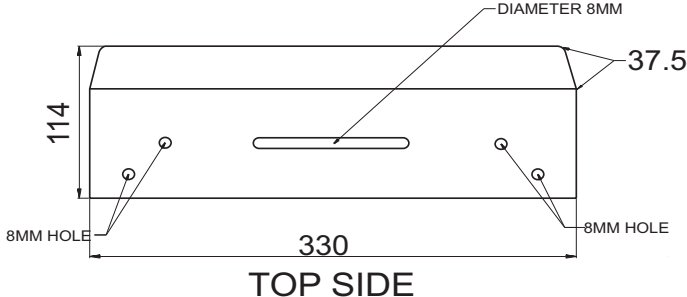
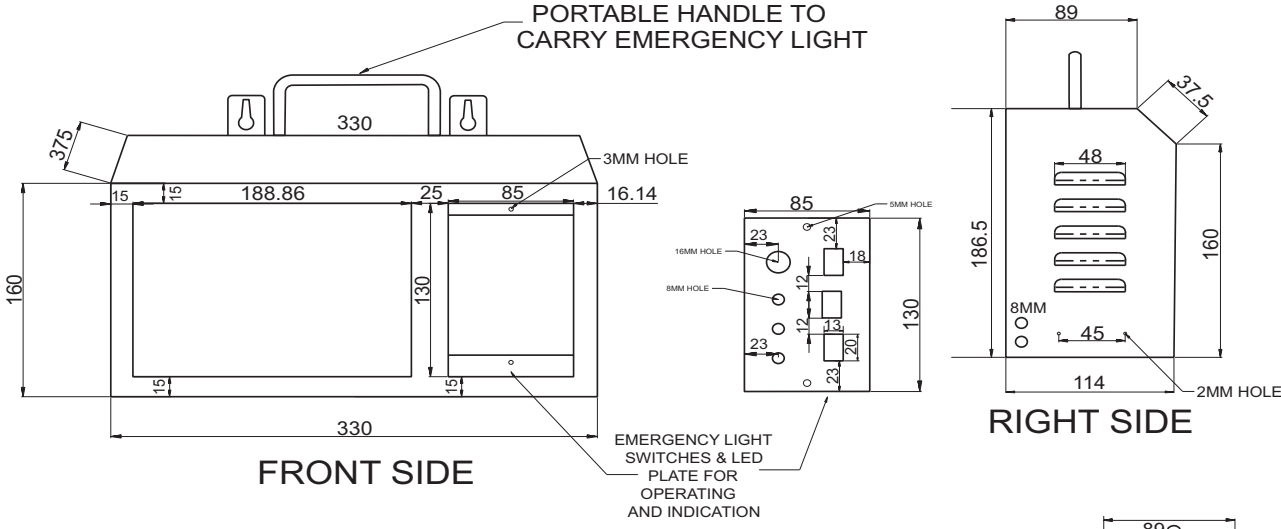
Mobil : 9891222660/99680611,

Mail:-mailanilrawat@gmail.com,  
nationaldevices@gmail.com



TITLE	OUTLOOK APPEARANCE (EMERGENCY LIGHT)
PRODUCT NAME	Emergency light
SHEET GAUGE	18SWG
COLOUR	White glossy
DIMENSION	All dimensions are in MM
MANEUVERED BY	NATIONAL SECURITY DEVICES

# MECHANICAL DRAWING (EMERGENCY LIGHT)



**NATIONAL SECURITY DEVICES**  
 OFFICE : 485/14, SARPANCH KA BARA ,  
 MANDAWALI FAZALPUR DELHI-92 :  
 Phone:-011-22751020,64603599,  
 Mobil : 9891222660/99680611,  
 Mail:-mailanirawat@gmail.com,  
 nationaldevices@gmail.com

**AGNI ALARMS**  
 TESTED-TRUSTED

TITLE	MECHANICAL TECHNICAL DATA (EMERGENCY LIGHT)
PRODUCT NAME	Emergency light
SHEET GAUGE	18SWG
COLOUR	White glossy
DIMENSION	All dimensions are in <b>MM</b>
MANEUVERED BY	<b>NATIONAL SECURITY DEVICES</b>