

INSTRUCTION MANUAL

CUM DATA SHEET

9 to 16 zone



FIRE ALARM SYSTEM

MODEL : LEXUS LED & LCD

ERTL TESTED AS PER IS:2189

Manufactured By

NATIONAL SECURITY DEVICES

OFFICE : 485/14, SARPANCH KA BARA, MANDAWALI
FAZALPUR, DELHI-110092

Index

- 1.Introduction
- 2.System Feature
- 3.Installation
- 4.Test procedure
- 5.Technical Data
- 6.Trouble Shooting
7. Test Report
- 8.Lexus Main Board
- 9.Lexus Express Board
- 10.Lexus Power Card
- 11.Zone Light Board
- 12.LED Front Board
- 13.Warranty Certificate
- 14.Dealer's Name

Introduction

ABOUT THE COMPANY

We Heartily welcome you for purchase the product from NATIONAL SECURITY DEVICES, is well known name in the manufacturing of fire alarm system , security system & accossries .With in a short span of two decades time, we achieve success every layer of the industry, & got good reward & respect from the customer for quality product & time bond services. Still aim to keep the high standard Computerized R & D, in house tool room/assembly plant and of course our skilled workmanship with the strict quality control.

We feel that customers award us t i me to time opportunity to up gradation process of our services & product. So that our valued that customer gets 100% satisfaction. Some of our patronages are CPWD, PWD, BANK, RAILWAYS, ANSAL,HOTELS, UNITECH, DDA, NBCC, And many more Govt. and Pvt. security consultant. We have strong commitments to our client to provide best quality prices and Superior customer care promote delivery

Apart from our existing product range, we have product and their accessories as per the requirement and specification of the customers.

System Feature

Your LEXUS fire alarm panel comes with its internal robust Power unit, changer change over circuit mains fail to battery & vice versa. Card less motherboard & express board. Panel has spaced of 2No. 17AH battery, 8 to 40 flexible zones facility with the individuals Hooter lines and a common point which gives continuous output voltage. Also has provision of extra relay contact.

Feature of the system are describe as follows :-

- 1-- Micro controller based & fault monitoring system.
- 2-- Separate LED display for individuals zones.
- 3-- Zones wise/common hooter facility
- 4-- Zone wise repeaters fire & fault(optioninal).
- 5-- Tactile type switch building evacuation, lamp test zone test walk reset the system.
- 6-- Visual indication of common fire, common fault mains, charging low battery etc.
- 7-- In built auto charging.
- 8-- Audio visual indication for fire/fault(zone wise).
- 9-- Common silence switch for accept of fire/fault/ zone/ power) and respective common relay.
- 10--If multiple condition appear in same time press salience switch again & again till the streaming of condition .In that condition sounder & buzzer will activate again .After rectification of fault press reset switch.
- 11--System is fully detachable card by card such as power unit, mother board, switch pad, express board etc. Thus servicing is simple, cost effective and time saving also. This process does not need very experienced person, thus you can easily change the defective part.

Installation

Before the installation of any device it is necessary to choose the right place. In the case of fire alarm system it is necessary to see the following points.

- 1) Do not install system in high radioactive, magnetic field and moisture area.
- 2) Where the heavy Electric cables junction and shock hazard area.
- 3) In restricted area enclosed area.
- 4) For the installations of a panel make sure the back box assemble is held accurately against the wall, and mark the position of the four fixing holes .
Fix it by hole.

SYSTEM COMMISSIONING

Before connection field wire is must to check them by a low voltage millimeter. It is must be satisfied hooter or other control circuit are giving right symptom. If found dough full please check them again. Before the system commissioning all the detection zone lines circuit must be check the resistance between each line & negative must be check and certified to be 4.7 Ohm +- 10%.

After the line have been found satisfactory then the detection & sounder circuit connected as per wiring with diagram. Now connected battery supply first, power fault & system on lamps glow(wrong connection reverse Battery lamps glow). Now connected mains 230V mains lamps & system on glow system will silent.

TEST PRODUCER

- 1--Turn on power switch, all lamps glow once for few seconds & buzzer will short beep. Digital LCD will shows initial messages & company product information in brief till few moments.
- 2-- All lamps glow with internal sounder for few moment. this is initial lamp test to monitor the physical check the LED. If lamps not glow in LED display card check ribbon cable in proper position & tightly inserted in its header box. position.
- 3--In alarm condition check the Respective zone & search fire become alarm actuated. point. Remove respective zone & monitor fire lamps glow remain OFF. LCD will display message . Now remove fault &check it again. Reset the system, sensor become normal condition.
- 4--To test silence simulate open or short of detection line fault lamp glow. Monitor fault lamp glow & common fault relay energizes with continues tone. Push silence and system will be silence monitor fault lamp relay switch while zonal fault lamps remain lit.

CONTROL

EVACUATE :- If the operator/security officer understand the fire is hard to handle. and hooter are in idle position, then he can activate hooters manually by pressing this button. This is manual alert switch to evacuate in case of fire emergency.

LAMP TEST :- To check the LED in healthy position condition press this switch. ALL LED will be glow for few seconds with the buzzer sound.

RESET :- This has provided for restarting the system after any event or function.

WALK TEST :- This switch for maintenance purpose & not used regularly. During maintenance suppose there is only one person and he want test smoke detector locate at far from panel. In that condition he can not reach immediately to silence the panel . At that period Form long distance sensor to panel, hooter will raise untrue alarm . It may be create unwanted panic .So before testing long distance sensor press walk Test switch Hooter will not operated for 15 minutes & there after it will in normal condition. Reset switch is used to abandon Walk test action.

Zone LED Display

ZONE NO. :- This is print on sticker for displaying the Zone No.

NORMAL LED.:- These are pair of Green LED. Glow in below condition.

At the time of system start/Normal.

At the time of lamp test.

If the Zone line is off .this pair of LED goes off. In case of fire & short/open this pair also OFF

FIRE LED.:- These are pair of RED LED. Glow in 3 condition.

At the time of system start/Reset (for 2-3 sec.)

At the time of lamp test.

If the FIRE in respective zone. This mean whenever FIRE detected by zone.

It is automatically off if FIRE resolved.

FAULT LED:- These are pair of yellow LED. Glow in 3 condition. These are OPEN/SHORT LED

OPEN/SHORT detected in zone line called fault..

At the time of system start/Reset (for 2-3 sec.)

At the time of lamp test.

Although fault LED glow but LCD display SHORT/OPEN with zonr no.

It is automatically off if OPEN/SHORT resolved.

Technical Data

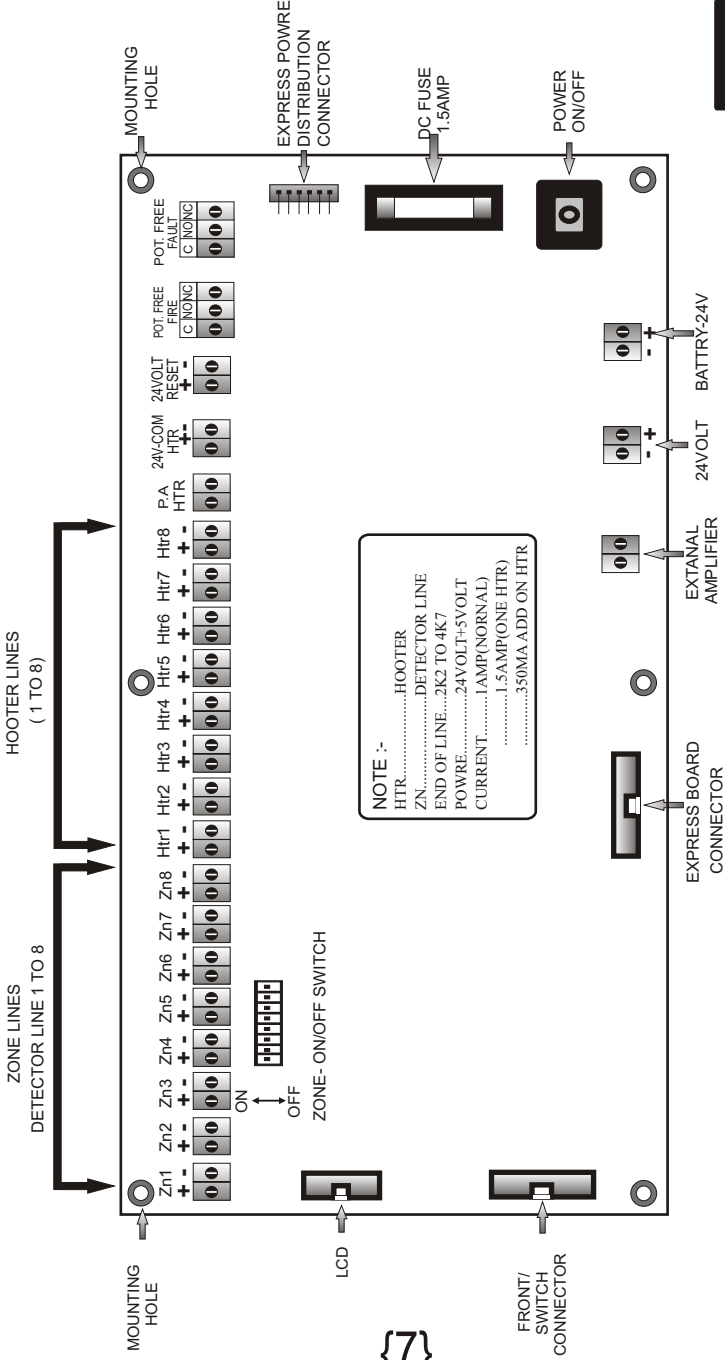
- 1) operating voltage : 24 dc + 10%.
- 2) mains supply : 220v ac.
- 3) stand by supply : 24v dc.
- 4) auxiliary charger : 24v/1amp.
- 5) voltage charger : 26.6v.
- 6) stand by current : 15.6ma zone.
- 7) alarm current : 35ma zone
- 8) ac fuse rating : 750 ma.
- 9) dc fuse rating : 1.5amp.
- 10) dimensions : (500x400x110)m.m
- 11) weight : 14kgs.till 16 zone
: 22kgs.for above 16 zone

Trouble Shooting

Fault	Solution/check Point
1) Only mains lamp glow	Check DC Fuse
2) Only Power fault lamp	Check all fuse glow
3) Low batt charging lamp	Replace battery glow For long period
4) Zone display lamp not glow	Check the cable .Call the engineer
5) L.C.D. Not massaging	Check cable . call to engineer
6) Sounder not operated.	Check filed wiring. silence switch check. Call engineer
7) Zone fault appear	Check field wiring. Call engineer.

WIRING/CONNECTOR DIAGRAM

MAIN BOARD MODULE : LEXUS

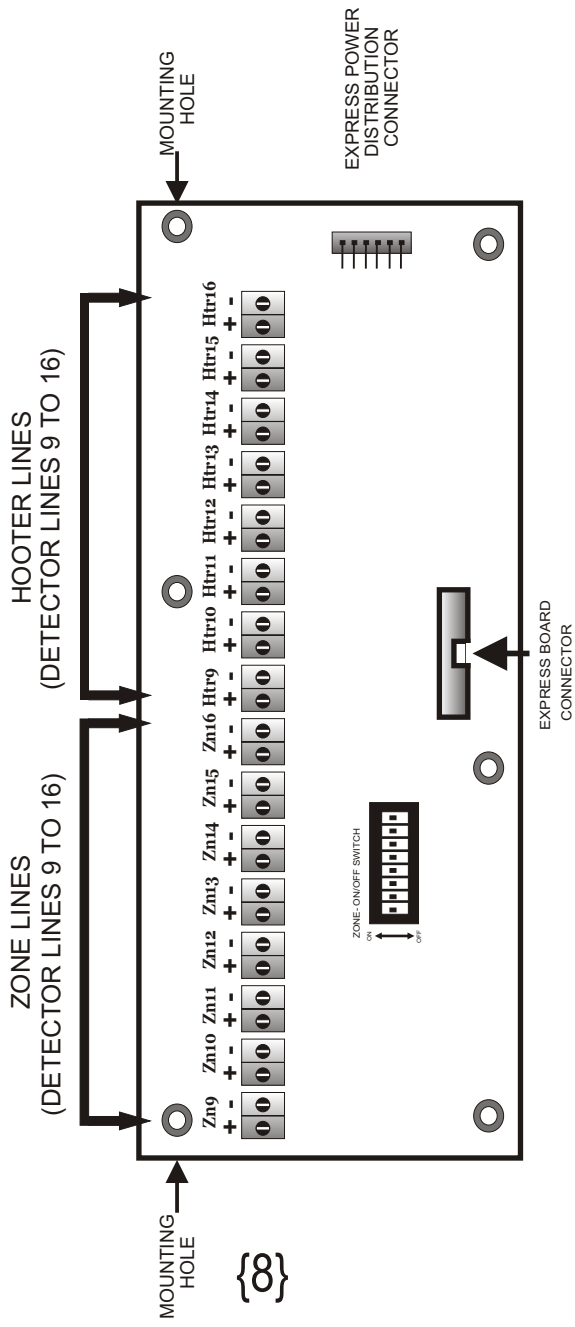


{7}

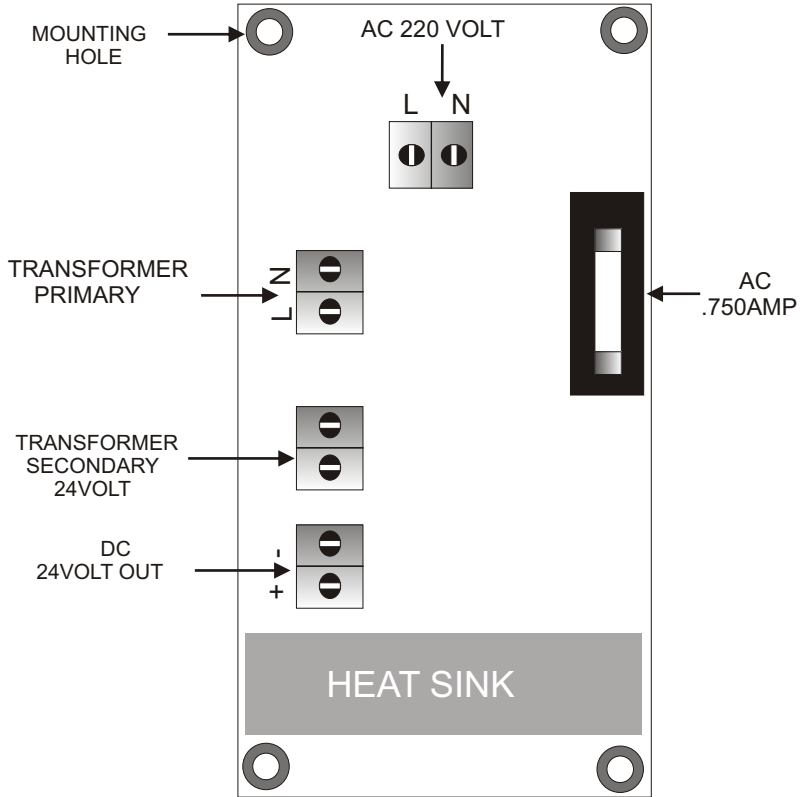


PROPERTY OF NATIONAL SECURITY DEVICES DO NOT COPY

LEXUS'S EXPRESS BOARD WIRING/CONNECTOR DIAGRAM



Power supply (WIRING/CONNECTOR DIAGRAM)



Warranty Certificate

Dear Customer,

Your NATIONAL SECURITY DEVICES Fire alarm system
so guaranteed against manufacturing defects of parts and
components for a period of 12monthes from purchase DATE

.....

During this period any items found defective will be repaired
at our works or though service center.

Terms & Condition : -

- 1)Serial No. Sticker /plate should not be broken/tempered.
- 2) Serial No. Sticker/plate should not be loss or miss match as per company record.
- 3) Unauthorized service attempt will invalid the warranty of product.

Serial No :-

Stamp :-

NATIONAL SECURITY DEVICES

DEALER'S NAME & Stamp



MODEL NO : LEXUS

SRL.NO :

SALE DATE :



H.O. : 485/13 & sarpanch ka Bara,Mandawali,
Fazalpur,Delhi-11 00 92.

Works : 2A Patparganj, Mayur vihar -1,
Near Pandev Nager Police Station,Delhi- 11 00 91.

Fax : +91 11 2275 1020.

Phone : +91 11 2275 1020,6460 3599.

E-Mail : natioaldevices@gmail.com,
mailanilrawat@gmail.com

Website : www.all-safe.in